

# Varifocal Camera (HQ1)

Products List &gt; C Series &gt; Camera &gt; Varifocal Camera (HQ1) &gt; MTC-1438HQ

## MTC-1438HQ

### FEATURES

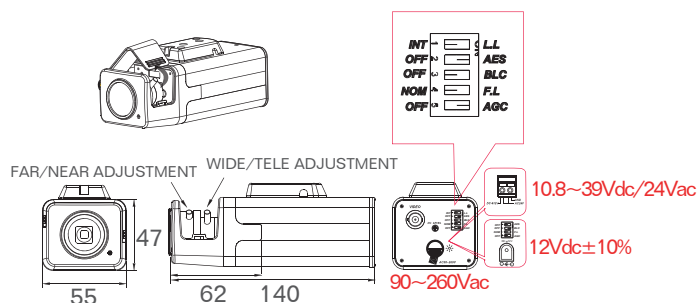


MTC-1438HQ



## MTC-1438HQ

- ◆ 1/3" Super Hi-Res. Varifocal Camera
- ◆ Sony HQ1/ 540TVL/ 0.1Lux@F1.2
- ◆ Built-in DNR & Sense Up
- ◆ AES/AGC/BLC/FL (ON/OFF)



Tol: ±0.5 Unit:mm

### SPECIFICATIONS

MTC-1438HQ		
TV System	PAL	NTSC
Image Sensor	1/3" Sony Super HAD CCD II	
Number of Total Pixels	795(H)x596(V)	811(H)x508(V)
Resolution ; DSP	540TVL ; Sony HQ1	
Minimum Illumination	0.1Lux@F1.2	
Video Output ; Connector	1.0Vp-p Composite, 75Ω ; BNC	
Signal to Noise Ratio	More than 50dB (AGC off)	
Gamma Correction	0.45	
Synchronizing System	Internal	
Automatic Electronic Shutter	ON: 1/50(60)sec.~1/100,000sec. / OFF: 1/50(60)sec.	
Automatic Gain Control	ON / OFF	
Automatic White Balance	Automatic	
Back Light Compensation	ON / OFF	
Flickerless	ON / OFF	
DNR ; Sense Up	Automatic Dynamic Digital Noise Reduction (DNR) ; Automatic	
Digital Day&Night Mode	NA	
Automatic IRIS	DC	
Adjustment VR	DC Level	
Lens Mount	Built-in DC Auto IRIS Lens	
Lens, Angle of View(H)	Standard: f2.8mm~10mm/F1.2 Aspherical Auto IRIS Lens/94.6°~28.8° Option: f2.5mm~6.0mm/F1.3 Aspherical Auto IRIS Lens/108.2°~47.6°	
Power Supply ; Consumption	12Vdc±10%, 10.8~39Vdc/24Vac, 90~260Vac ; 2.0W	
Operation ; Storage Temp.	-10°C~50°C ; -20°C~60°C	
Operation ; Storage Humidity	Maximum: RH80% ; RH90%	
Dimensions	55(W)x47(H)x140(D)mm	
Net Weight	12Vdc±10%: 230g, 10.8~39Vdc/24Vac:300g, 90~260Vac: 350g	
Accessories Series Option(Page)	Bracket: MTB-101, MTB-102(H-4) ; Housing(H-5)	